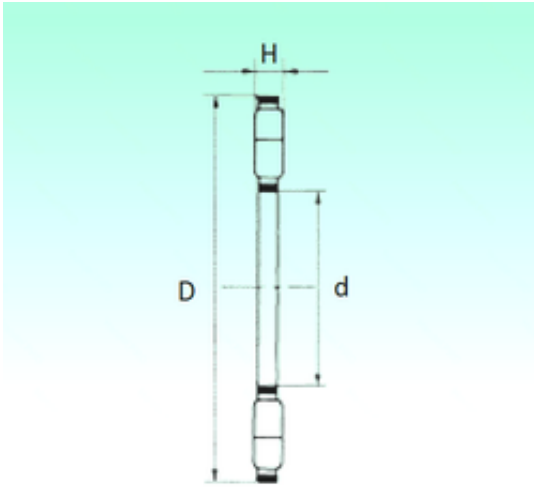




SKF BEARING LTD



NBS K89313TN thrust roller bearings

Bearing No. K89313TN

Bore Diameter	65 mm
Outer Diameter	115 mm
d	65 mm
D	115 mm
Dw	9 mm
Weight	0,21 Kg
Basic dynamic load rating (C)	193,5 kN
Basic static load rating (C0)	667,9 kN

K89313TN Bearing 2D drawings and 3D CAD models