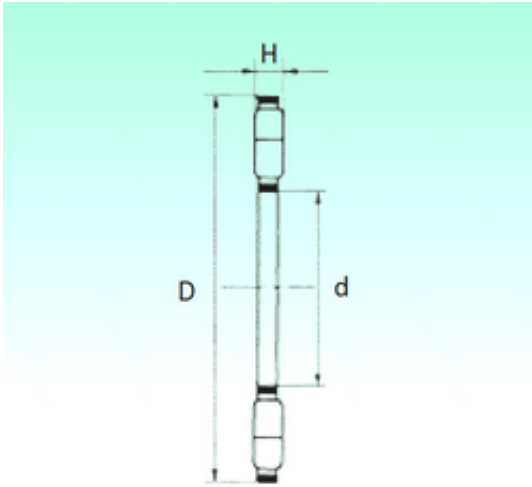




SKF BEARING LTD



NBS K89430-M thrust roller bearings

Bearing No. K89430-M

Bore Diameter	150 mm
Outer Diameter	300 mm
d	150 mm
D	300 mm
Dw	30 mm
Weight	7,1 Kg
Basic dynamic load rating (C)	1569,5 kN
Basic static load rating (C0)	5698,9 kN

K89430-M Bearing 2D drawings and 3D CAD models