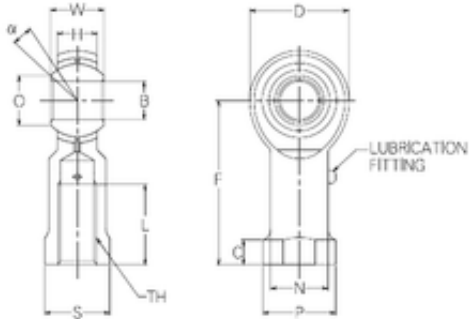




SKF BEARING LTD

3 mm x 12 mm x 3 mm NMB PR3 plain bearings



Bearing No. PR3

Bore Diameter	3 mm
d	3 mm
P	8 mm
Db	7,94 mm
O	5,2 mm
B	3 mm
C	3 mm
D	12 mm
F	21 mm
H	4,5 mm
L	10 mm
N	6,5 mm
S	7 mm
W	6 mm
Angle	14 °
Thread (TH)	M3 × 0,5
Weight	0,009 Kg
Basic static load rating (C0)	7,15 kN

PR3 Bearing 2D drawings and 3D CAD models