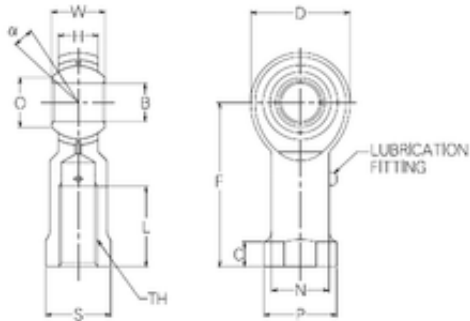




SKF BEARING LTD

20 mm x 46 mm x 20 mm NMB PR20 plain bearings



Bearing No. PR20

Bore Diameter	20 mm
d	20 mm
P	34 mm
Db	34,92 mm
O	24,4 mm
B	20 mm
C	10 mm
D	46 mm
F	77 mm
H	18 mm
L	40 mm
N	27,5 mm
S	30 mm
W	25 mm
Angle	14 °
Thread (TH)	M20 × 1,5
Weight	0,38 Kg
Basic static load rating (C0)	84,33 kN

PR20 Bearing 2D drawings and 3D CAD models