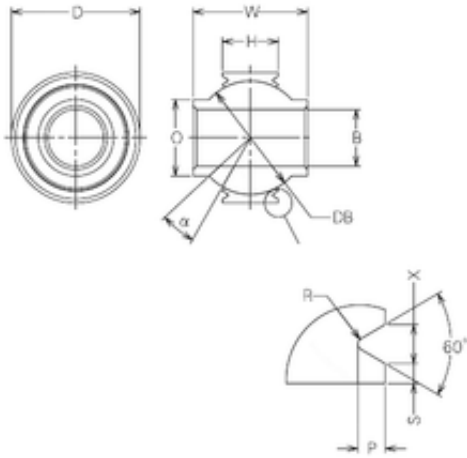




# SKF BEARING LTD

## 6 mm x 19 mm x 6 mm NMB MBY6VCR plain bearings

Bearing No. MBY6VCR



MBY6VCR Bearing 2D drawings and 3D CAD models

Size	6x19x15 mm
Bore Diameter	6 mm
Outer Diameter	19 mm
Width	15 mm
d	6 mm
D	19 mm
B	15 mm
C	6,5 mm
P	0,7 mm
Db	15,1 mm
X	1 mm
O	10 mm
B	6 mm
D	19 mm
H	6,5 mm
R	0,4 mm
S	0,5 mm
W	15 mm
Angle	23 °
Weight	18 Kg
Static load rating radial (C0)	50,5 kN