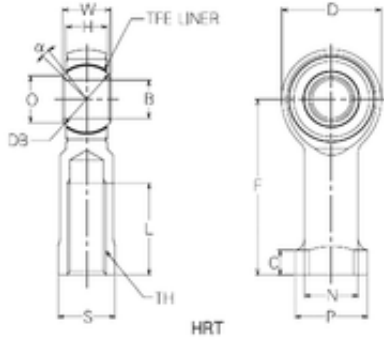




SKF BEARING LTD

14 mm x 36 mm x 14 mm NMB HRT14 plain bearings



Bearing No. HRT14

Bore Diameter	14 mm
d	14 mm
P	24 mm
Db	25,4 mm
O	18,9 mm
B	14 mm
C	7,5 mm
D	36 mm
F	60 mm
H	14,25 mm
L	33 mm
N	19 mm
S	20 mm
W	17 mm
Angle	8 °
Thread (TH)	M14 × 2,0

HRT14 Bearing 2D drawings and 3D CAD models