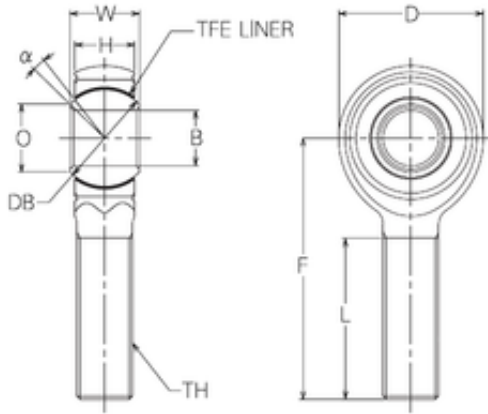




SKF BEARING LTD

16 mm x 39 mm x 16 mm NMB HRT16E plain bearings

Bearing No. HRT16E



HRT16E Bearing 2D drawings and 3D CAD models

Bore Diameter	16 mm
Width	16 mm
d	16 mm
Db	26,99 mm
O	19,2 mm
B	16 mm
D	39 mm
F	66,5 mm
H	15,25 mm
L	39,5 mm
W	19 mm
Angle	10 °
Thread (TH)	M16 x 2,0