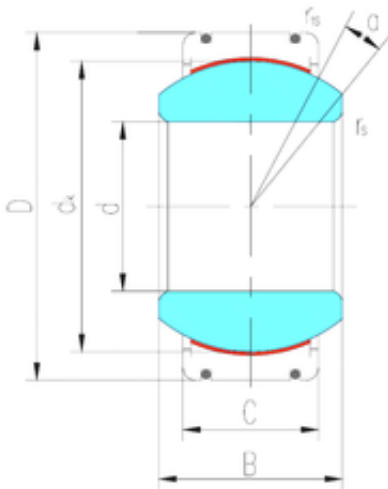




SKF BEARING LTD



120 mm x 210 mm x 115 mm LS
GEG120XT-2RS plain bearings

Bearing No. GEG120XT-2RS

Size	120x210x115 mm
Bore Diameter	120 mm
Outer Diameter	210 mm
Width	115 mm
d	120 mm
D	210 mm
B	115 mm
C	70 mm
dk	180 mm
r min.	1 mm
r1 min.	1 mm
Angle	16 °
Weight	15,1 Kg
Basic dynamic load rating (C)	1890 kN

GEG120XT-2RS Bearing 2D drawings and 3D CAD models