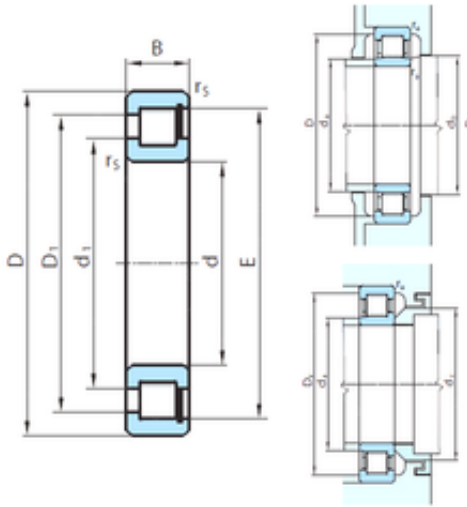




SKF BEARING LTD



400 mm x 500 mm x 46 mm PSL PSL 412-203
cylindrical roller bearings

Bearing No. PSL 412-203

Size	400x476x46 mm
Bore Diameter	400 mm
Outer Diameter	476 mm
Width	46 mm
d	400 mm
D	500 mm
E	476 mm
B	46 mm
C	46 mm
r min.	2,1 mm
r1 max.	2,1 mm
Weight	20 Kg
Basic dynamic load rating (C)	590 kN
Basic static load rating (C0)	1298 kN
(Grease) Lubrication Speed	290 r/min

PSL 412-203 Bearing 2D drawings and 3D CAD models