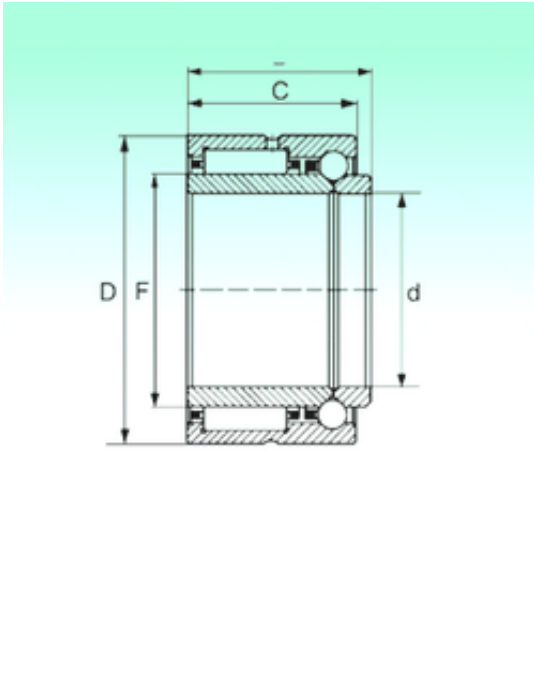




SKF BEARING LTD



NKIB 5913 Bearing 2D drawings and 3D CAD models

65 mm x 90 mm x 38 mm NBS NKIB 5913 complex bearings

Bearing No. NKIB 5913

Size	65x90x38 mm
Bore Diameter	65 mm
Outer Diameter	90 mm
Width	38 mm
d	65 mm
F	72 mm
D	90 mm
B	38 mm
C	34 mm
Weight	0,64 Kg
Dynamic load rating radial (C)	57,95 kN
Dynamic load rating axial (C)	9,785 kN
Static load rating radial (C0)	106,4 kN
Static load rating axial (C0)	21,185 kN