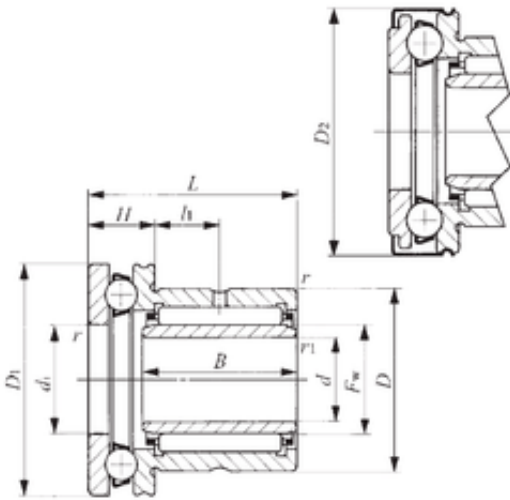




SKF BEARING LTD

45 mm x 62 mm x 25 mm IKO NAXI 4535Z complex bearings

Bearing No. NAXI 4535Z



NAXI 4535Z Bearing 2D drawings and 3D CAD models

Bore Diameter	45 mm
Outer Diameter	62 mm
d	45 mm
Fw	50 mm
D	62 mm
D1	70 mm
D2	71,5 mm
B	25 mm
d1	50 mm
r min.	0,6 mm
r1 min.	0,3 mm
H	14 mm
L	35 mm
L1	10 mm
da min.	62 mm
db	49 mm
Weight	0,368 Kg
Dynamic load rating radial (C)	42,2 kN
Dynamic load rating axial (C)	28,8 kN
Static load rating radial (C0)	83,4 kN
Static load rating axial (C0)	60,1 kN