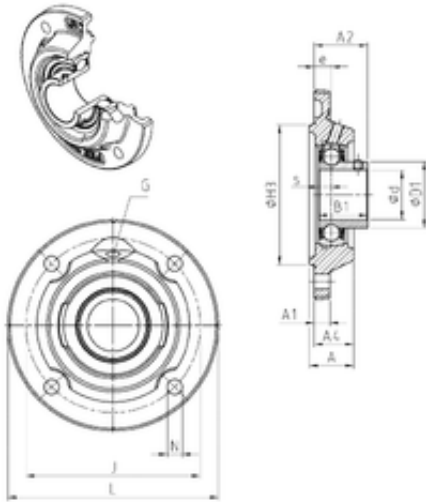




# SKF BEARING LTD



## SNR USFEE206 bearing units

Bearing No. USFEE206

Bore Diameter	30 mm
d	30 mm
H3	85 mm
A4	24 mm
e	10,5 mm
s	8 mm
A	27 mm
A1	9,5 mm
B1	30 mm
D1	40,3 mm
J	105 mm
L	127 mm
N	9 mm
Thread (G)	R1/8"
A2	32,5 mm
Weight	1,1 Kg
Basic dynamic load rating (C)	19,5 kN

USFEE206 Bearing 2D drawings and 3D CAD models