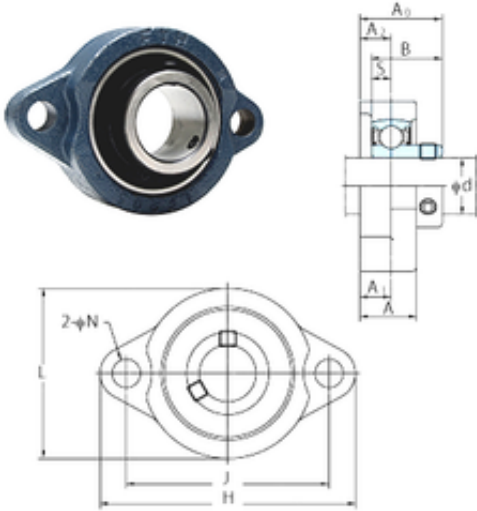




# SKF BEARING LTD



## FYH BLF207-20 bearing units

Bearing No. BLF207-20

Bore Diameter	31,75 mm
d	31,75 mm
A0	36,5 mm
A	24 mm
A1	13 mm
B	32 mm
H	122 mm
J	100 mm
L	89 mm
N	12 mm
S	8,5 mm
Bolt (G)	M10
A2	13 mm
Weight	0,77 Kg
Dynamic load rating radial (C)	25,7 kN
Static load rating radial (C0)	15,4 kN

BLF207-20 Bearing 2D drawings and 3D CAD models