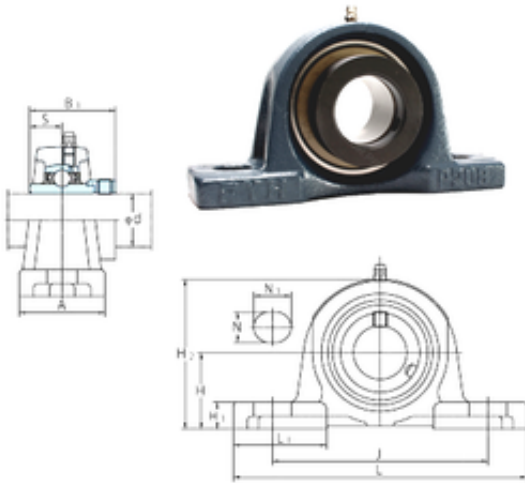




SKF BEARING LTD

FYH NAP210 bearing units



Bearing No. NAP210

Bore Diameter	50 mm
Width	57,2 mm
d	50 mm
A	60 mm
B1	62,7 mm
H	57,2 mm
H1	19 mm
H2	113 mm
J	159 mm
L	206 mm
L1	63 mm
N	20 mm
N1	22 mm
S	24,6 mm
Bolt (G)	M16
Weight	3,1 Kg
Basic dynamic load rating (C)	35,1 kN
Category	Mounted Units & Inserts
Inventory	0.0
Manufacturer Name	FYH BEARING UNITS
Minimum Buy Quantity	N/A
Weight / Kilogram	0
Product Group	M06110

NAP210 Bearing 2D drawings and 3D CAD models