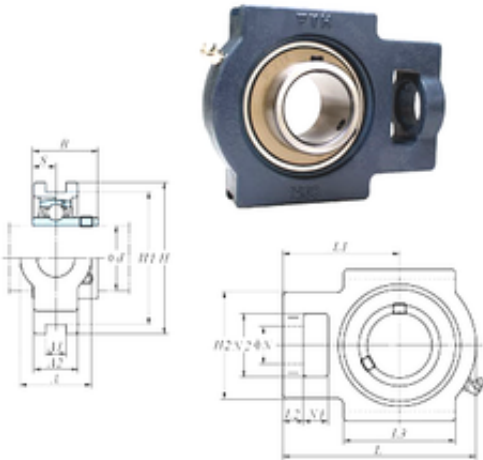




SKF BEARING LTD

FYH UCT315-48 bearing units

Bearing No. UCT315-48



UCT315-48 Bearing 2D drawings and 3D CAD models

Bore Diameter	76,2 mm
d	76,2 mm
L2	25 mm
L3	150 mm
A	90 mm
A1	26 mm
B	82 mm
H	216 mm
H1	192 mm
H2	132 mm
L	262 mm
L1	160 mm
N	46 mm
N1	36 mm
S	32 mm
A2	55 mm
N2	85 mm
Weight	13 Kg
Basic dynamic load rating (C)	113 kN
Basic static load rating (C0)	77,2 kN