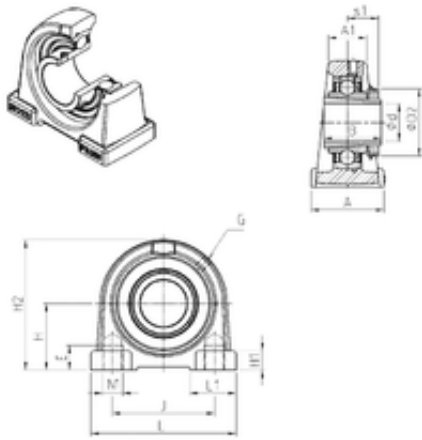




SNR UKPAE206H bearing units



Bearing No. UKPAE206H

Bore Diameter	25 mm
d	25 mm
s1	20,5 mm
A	38 mm
A1	25 mm
B	38 mm
D2	45 mm
E	12,5 mm
H	42,9 mm
H1	11 mm
H2	82 mm
J	76,2 mm
L	98 mm
L1	22 mm
Thread (G)	R1/8"
Thread (N1)	M10
Weight	1 Kg
Basic dynamic load rating (C)	19,5 kN

UKPAE206H Bearing 2D drawings and 3D CAD models