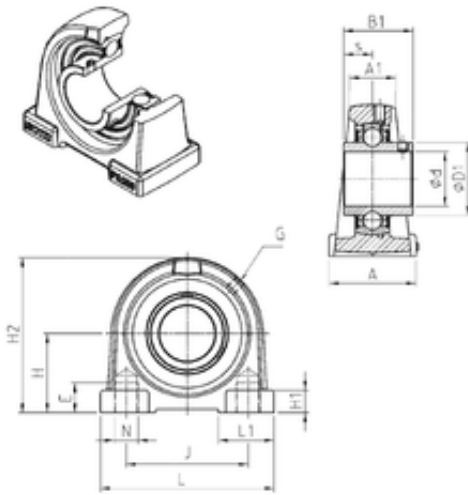




# SKF BEARING LTD

## SNR UCPA205 bearing units

Bearing No. UCPA205



UCPA205 Bearing 2D drawings and 3D CAD models

Bore Diameter	25 mm
d	25 mm
s	14,3 mm
A	38 mm
A1	23 mm
B1	34 mm
D1	34 mm
E	15 mm
H	36,5 mm
H1	12 mm
H2	72 mm
J	56 mm
L	84 mm
L1	27 mm
Thread (G)	M6x1
Thread (N1)	M10
Weight	0,7 Kg
Basic dynamic load rating (C)	14 kN