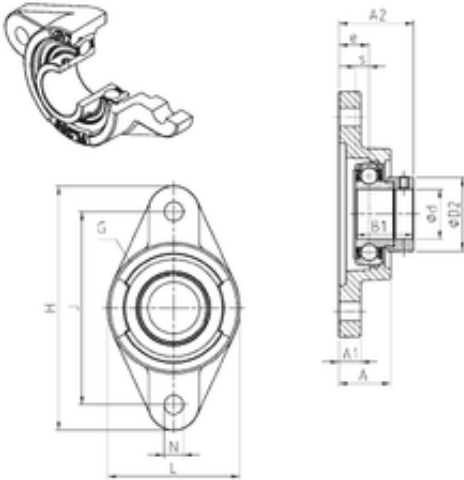




SKF BEARING LTD



SNR ESFL207 bearing units

Bearing No. ESFL207

Bore Diameter	35 mm
d	35 mm
e	19 mm
s	9,5 mm
A	34 mm
A1	14 mm
B1	38,9 mm
D2	55,6 mm
H	161 mm
J	130 mm
L	90 mm
N	16 mm
Thread (G)	M6x1
A2	48,4 mm
Weight	1,2 Kg
Basic dynamic load rating (C)	25,7 kN

ESFL207 Bearing 2D drawings and 3D CAD models