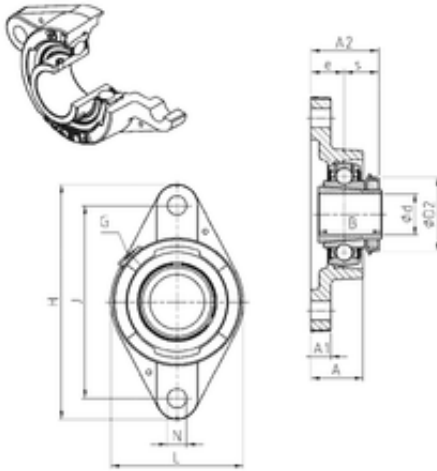




SKF BEARING LTD

SNR UKFLE211H bearing units

Bearing No. UKFLE211H



UKFLE211H Bearing 2D drawings and 3D CAD models

Bore Diameter	50 mm
d	50 mm
e	31 mm
s1	29 mm
A	45,8 mm
A1	15 mm
B	59 mm
D2	75 mm
H	222 mm
J	184 mm
L	134 mm
N	18 mm
Thread (G)	R1/8"
A2	60 mm
Weight	3,5 Kg
Basic dynamic load rating (C)	43,55 kN