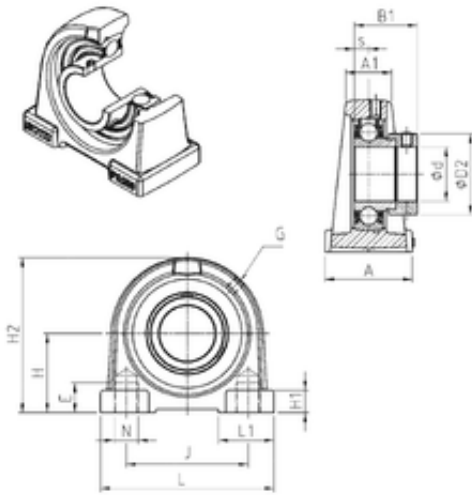




SKF BEARING LTD

SNR ESPA208 bearing units

Bearing No. ESPA208



ESPA208 Bearing 2D drawings and 3D CAD models

Bore Diameter	40 mm
d	40 mm
s	11 mm
A	54 mm
A1	28 mm
B1	43,7 mm
D2	60,3 mm
E	20 mm
H	49,2 mm
H1	13 mm
H2	100 mm
J	84 mm
L	116 mm
L1	32 mm
Thread (G)	M6x1
Thread (N1)	M14
Weight	1,8 Kg
Basic dynamic load rating (C)	29,6 kN