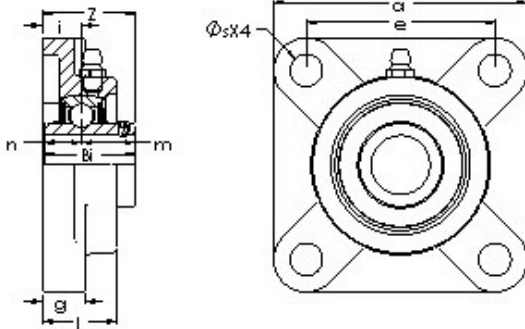




SKF BEARING LTD



AST UCF 205-14E bearing units

Bearing No. UCF 205-14E

| | |
|----------------------------------------------|-----------------------------------------|
| Bore Diameter | 22,225 mm |
| Bearing Type | Cast iron housing |
| Dynamic Load Rating (Cr) | 3,152 |
| Static Load Rating (Cor) | 1,763 |
| Shaft Dia. (Fw) | 0.8750 |
| Mounting Hole Center-to-Center (e) | 2.7500 |
| Housing Length (a) | 3.7500 |
| Housing Base Thickness (g) | 0.5000 |
| Bearing Inner Race Width (Bi) | 1.3390 |
| Bearing Inner Race Width - Short Side (n) | 0.5630 |
| Bearing Inner Race Width - Extended Side (m) | 0.7756 |
| Mounting Bolt Size | 0.3750 |
| Bearing Number - UC 205-14 | UC 20514 |
| Housing Number | F 205E |
| Mounting Hole Dia. (s) | 0.4531 |
| Flange Assembly Height (Z) | 1.4060 |
| Flange Height (l) | 1.0630 |
| Mounting Base to Bearing Center (i) | 0.6250 |
| Weight (g) | 861.82 |
| Material | Cast iron housing, chrome steel bearing |

UCF 205-14E Bearing 2D drawings and 3D CAD models