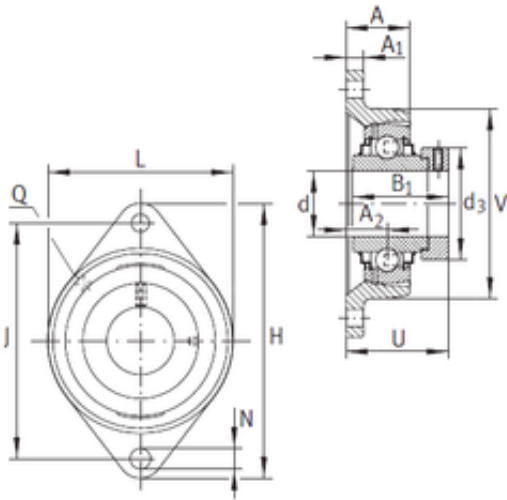




# SKF BEARING LTD

## INA RCJT35-FA164 bearing units

Bearing No. RCJT35-FA164



RCJT35-FA164 Bearing 2D drawings and 3D CAD models

Bore Diameter	35 mm
d	35 mm
V	92 mm
U	53,5 mm
Thread (Q)	Rp1/8
d3	51 mm
A	30,5 mm
A1	12,5 mm
B1	51,3 mm
H	155 mm
J	130 mm
L	92 mm
N	14 mm
A2	21 mm
Weight	1,19 Kg
Basic dynamic load rating (C)	25,5 kN