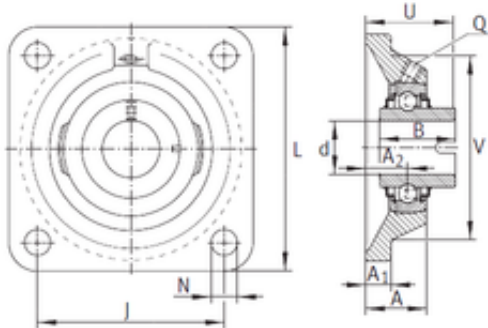




# SKF BEARING LTD

## INA RCJL50-N bearing units



RCJL50-N Bearing 2D drawings and 3D CAD models

Bearing No. RCJL50-N

Bore Diameter	50 mm
d	50 mm
V	125 mm
U	58,2 mm
Thread (Q)	Rp1/8
A	39 mm
A1	13 mm
B	49,2 mm
J	111 mm
L	143 mm
N	18 mm
A2	28 mm
Weight	2,29 Kg
Basic dynamic load rating (C)	35 kN
Category	Flange Block Bearings
Inventory	0.0
Manufacturer Name	SCHAEFFLER GROUP
Minimum Buy Quantity	N/A
Weight / Kilogram	2.745
Product Group	M06110
Number of Mounting Holes	4
Mounting Method	Drive Slot
Housing Style	4 Bolt Square Flange Block
Rolling Element	Ball Bearing
Housing Material	Cast Iron
Expansion / Non-expansion	Expansion



## SKF BEARING LTD

Mounting Bolts	18 Millimeter
Relubricatable	Yes
Insert Part Number	GLE50KRRB
Seals	Double Land Riding Rubber Contact
Housing Configuration	1 Piece Solid
Pilot Configuration	No Pilot
Inch - Metric	Metric
Long Description	4 Bolt Square Flange Block; 50MM Bore; 157MM Bolt Circle; 111MM Bolt Spacing; 1 Piece Solid; Drive Slot Mount; Cast Iron; Ball Bearing; 49.2MM Length Thru Bore; Relubricatable; Double Land Riding Rubb
Other Features	Single Row   Radial   Non Locating Bearing   Metric
Category	Flange Block
UNSPSC	31171501
Harmonized Tariff Code	8483.20.40.40
Noun	Bearing
Keyword String	Flanged
Manufacturer URL	<a href="http://www.ina.com">http://www.ina.com</a>
Manufacturer Item Number	RCJL50
Weight / LBS	5.04
Bore	1.969 Inch   50 Millimeter
Bolt Spacing	4.37 Inch   111 Millimeter
Length Thru Bore	1.937 Inch   49.2 Millimeter
Cartridge Pilot Diameter	0 Inch   0 Millimeter
Nominal Bolt Circle Diameter Round	6.2 Inch   157 Millimeter