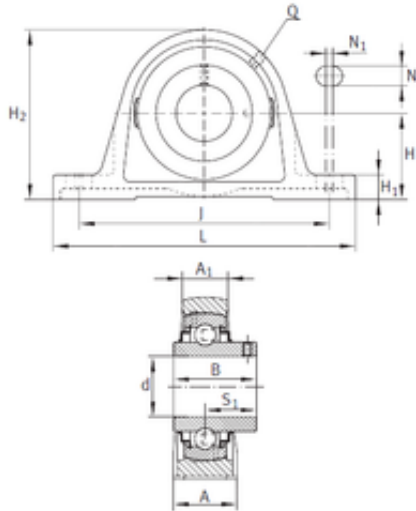




SKF BEARING LTD



RASEY1 Bearing 2D drawings and 3D CAD models

INA RASEY1 bearing units

Bearing No. RASEY1

Bore Diameter	25,4 mm
d	25,4 mm
S1	19,812 mm
Thread (Q)	1/8 NPT
A	37,008 mm
A1	21,997 mm
B	34,113 mm
H	36,526 mm
H1	15,494 mm
H2	71,451 mm
J	104,801 mm
L	139,7 mm
N	11,989 mm
N1	9,5 mm
Category	Pillow Block Bearings
Inventory	0.0
Manufacturer Name	SCHAEFFLER GROUP
Minimum Buy Quantity	N/A
Weight / Kilogram	0.9
EAN	4047643201599
Product Group	M06110
Number of Mounting Holes	2
Mounting Method	Set Screw
Housing Style	2 Bolt Pillow Block
Rolling Element	Ball Bearing
Housing Material	Cast Iron



SKF BEARING LTD

Expansion / Non-expansion	Non-expansion
Relubricatable	Yes
Insert Part Number	GY1100KRRB
Seals	Double Land Riding Rubber Contact
Housing Configuration	1 Piece Solid
Inch - Metric	Inch
Other Features	Single Row Standard Shaft Height
Long Description	2 Bolt Pillow Block; 1" Bore; 1-7/16" Base to Center Height; Set Screw Mount; Ball Bearing; 3.751" Minimum Bolt Spacing; 4-1/2" Bolt Spacing Maximum; Relubricatable; Cast Iron; Dou
Category	Pillow Block
UNSPSC	31171511
Harmonized Tariff Code	8483.20.40.40
Noun	Bearing
Keyword String	Pillow Block
Manufacturer URL	http://www.ina.com
Manufacturer Item Number	RASEY1
Weight / LBS	1.99
Base to Center Height	1.438 Inch 36.525 Millimeter
Bolt Spacing Minimum	3.751 Inch 95.275Millimeter
Bore	1 Inch 25.4 Millimeter
Length Thru Bore	1.343 Inch 34.1 Millimeter
Bolt Spacing Maximum	4.5 Inch 114.3Millimeter
Nominal Bolt Center to Center	4.1 Inch 105 Millimeter
Actual Bolt Center to Center	0 Inch 0Millimeter



SKF BEARING LTD