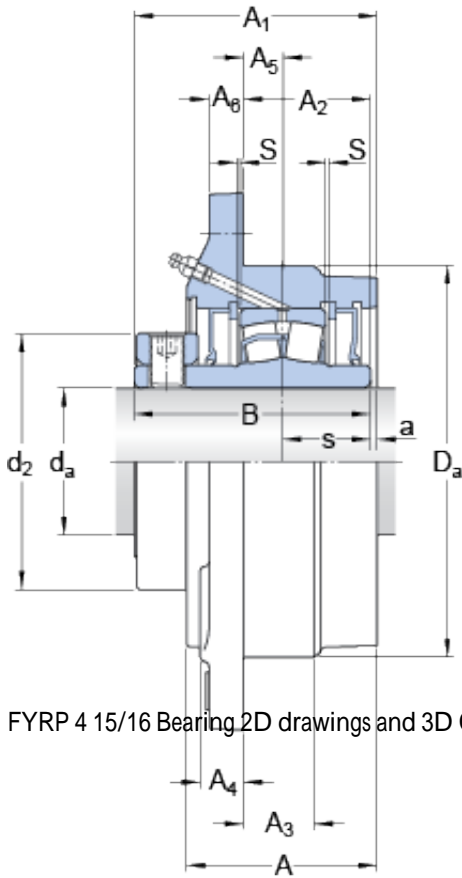




# SKF BEARING LTD

## SKF FYRP 4 15/16 bearing units

Bearing No. FYRP 4 15/16



FYRP 4 15/16 Bearing 2D drawings and 3D CAD models

|                               |                          |
|-------------------------------|--------------------------|
| Size                          | 125.412x279.4x109.538 mm |
| Bore Diameter                 | 125,412 mm               |
| Outer Diameter                | 279,4 mm                 |
| Width                         | 109,538 mm               |
| d <sub>a</sub>                | 125.412 mm               |
| D <sub>a</sub>                | 279.4 mm                 |
| A                             | 109.538 mm               |
| A <sub>1</sub>                | 142.081 mm               |
| A <sub>2</sub>                | 92.869 mm                |
| A <sub>3</sub>                | 57.15 mm                 |
| A <sub>4</sub>                | 42.862 mm                |
| A <sub>5</sub>                | 8.731 mm                 |
| A <sub>6</sub>                | 31.75 mm                 |
| B                             | 168.275 mm               |
| a                             | 26.194 mm                |
| J                             | 323.85 mm                |
| L                             | 374.65 mm                |
| N <sub>1</sub>                | 23.019 mm                |
| s                             | 84.138 mm                |
| S                             | 0.794 mm                 |
| Basic dynamic load rating - C | 547 kN                   |
| Limiting speed                | 1650 r/min               |