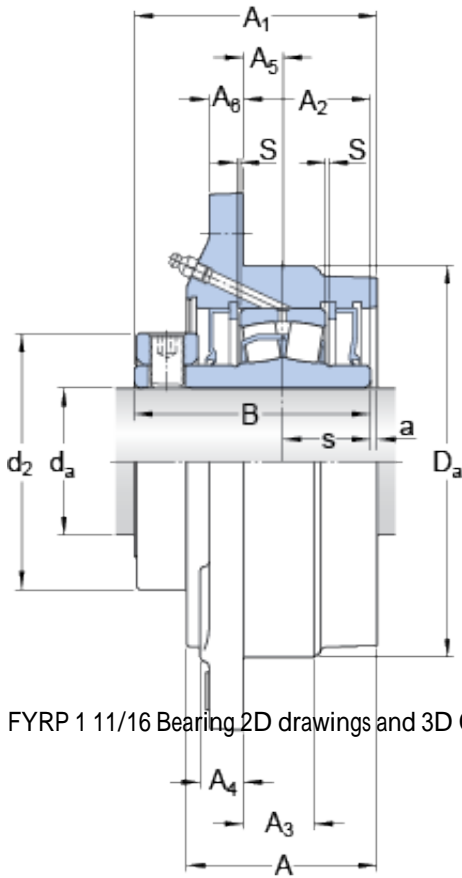




SKF BEARING LTD



FYRP 1 11/16 Bearing 2D drawings and 3D CAD models

SKF FYRP 1 11/16 bearing units

Bearing No. FYRP 1 11/16

Size	42.862x68.659x107.95 mm
Bore Diameter	42,862 mm
Outer Diameter	68,659 mm
Width	107,95 mm
d_a	42.862 mm
d_2	68.659 mm
D_a	107.95 mm
A	63.5 mm
A_1	79.375 mm
A_2	40.481 mm
A_3	22.225 mm
A_4	15.875 mm
A_5	15.875 mm
A_6	12.7 mm
B	73.025 mm
a	7.144 mm
J	130.175 mm
L	155.575 mm
N_1	12.7 mm
s	25.4 mm
S	0.794 mm
Basic dynamic load rating - C	77 kN
Limiting speed	4500 r/min
d_a	42.862 mm



SKF BEARING LTD

d_2	68.659 mm
D_a	107.95 mm
A_1	79.375 mm
A_2	40.481 mm
A_3	22.225 mm
A_4	15.875 mm
A_5	15.875 mm
A_6	12.7 mm
N_1	12.7 mm
Basic dynamic load rating C	77 kN
Mass bearing unit	3.54 kg
Attachment bolt diameter G	11.113 mm