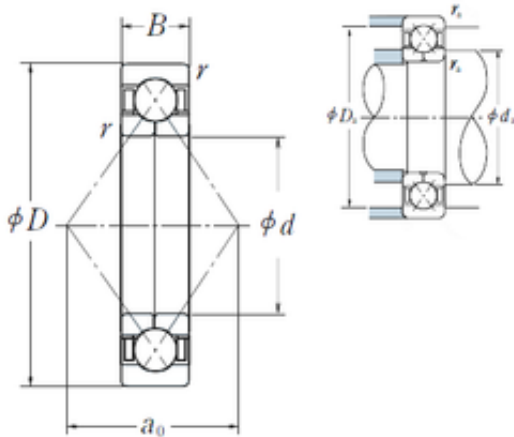




# SKF BEARING LTD

## 30 mm x 62 mm x 16 mm NSK QJ206 angular contact ball bearings

Bearing No. QJ206



QJ206 Bearing 2D drawings and 3D CAD models

Size	30x62x16 mm
Bore Diameter	30 mm
Outer Diameter	62 mm
Width	16 mm
d	30 mm
D	62 mm
B	16 mm
C	16 mm
Angle ( ° )	35 °
a	32,2 mm
r min.	1 mm
da min.	36 mm
da max	56 mm
ra max.	1 mm
Weight	0,24 Kg
Basic dynamic load rating (C)	31 kN
Basic static load rating (C0)	45 kN
(Grease) Lubrication Speed	8 500 r/min
SRI	4.95
hidYobi	QJ206
LangID	1
ALP23	0
ALP22	0
D_	62
ALP21	35



## SKF BEARING LTD

SREX	0.04
B_	16
hidTable	ecat_NSANGFP
Oil rpm	12000
C0r	4600
SRE	4.95
mass	0.24
GRS rpm	8500
ra	1
SRIX	0.04
D_a	56
Cr	3150
SRIN	0
C0	45
SREN	0
DE_	55.6
Prod_Type3	ACBB_FP_A
da	36
DA_	9.525
Z_	12
yobi	QJ206
ao	32.2
SDM_	46
r	1
KBRG	7764
DI_	36.4