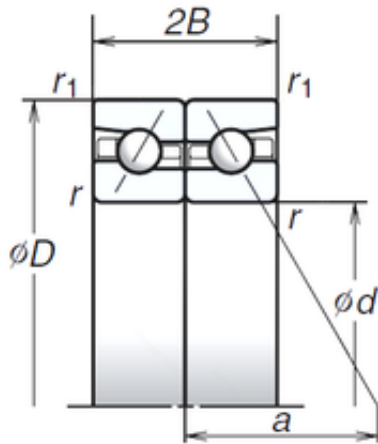




SKF BEARING LTD

105 mm x 160 mm x 24,75 mm NSK 105BTR10S angular contact ball bearings

Bearing No. 105BTR10S



105BTR10S Bearing 2D drawings and 3D CAD models

Size	105x160x24.75 mm
Bore Diameter	105 mm
Outer Diameter	160 mm
Width	24,75 mm
d	105 mm
D	160 mm
B	24,75 mm
C	24,75 mm
Angle (°)	40 °
a	68 mm
r min.	2 mm
r1 min.	1 mm
2B	49,5 mm
Weight	1,74 Kg
Basic dynamic load rating (C)	58,5 kN
Basic static load rating (C0)	131 kN
(Grease) Lubrication Speed	5 000 r/min
(Oil) Lubrication Speed	6 500 r/min