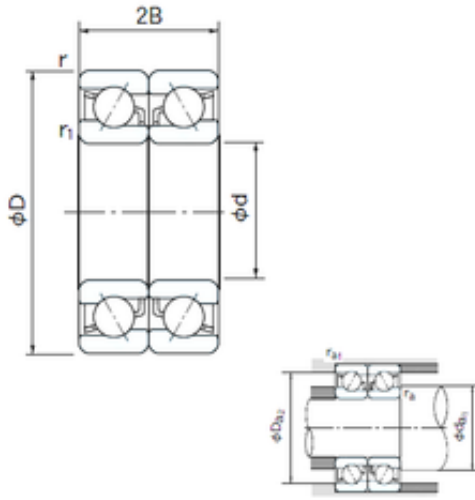




# SKF BEARING LTD



30 mm x 55 mm x 13 mm NACHI 7006CDB  
angular contact ball bearings

Bearing No. 7006CDB

7006CDB Bearing 2D drawings and 3D CAD models

Size	30x55x13 mm
Bore Diameter	30 mm
Outer Diameter	55 mm
Width	13 mm
d	30 mm
D	55 mm
B	13 mm
C	13 mm
Angle ( ° )	15 °
a -	1.6 mm
r min.	1 mm
r1 min.	0.6 mm
2B	26 mm
da min.	35 mm
Da max.	52 mm
ra max.	0.6 mm
Weight	0.135 Kg
Basic dynamic load rating (C)	25,9 kN
Basic static load rating (C0)	24 kN
(Grease) Lubrication Speed	15000 r/min
Bore Type	Cylindrical Bore
Enclosure	Open
Configuration	Duplex
Bore Size	30 mm
Outside Diameter	55 mm



## SKF BEARING LTD

Width	13 mm
Fillet Radius/Chamfer	1 mm
r1	0.6 mm
Dynamic Load Rating	25,900 N
Static Load Rating	24,000 N
Limiting Speed - Grease	15,000 rpm
Limiting Speed - Oil	21,000 rpm
da1 (min)	35 mm
da2 (min)	35 mm
Da1 (max)	50 mm
Da2 (max)	52 mm
ra (max)	1 mm
ra1 (max)	0.6 mm